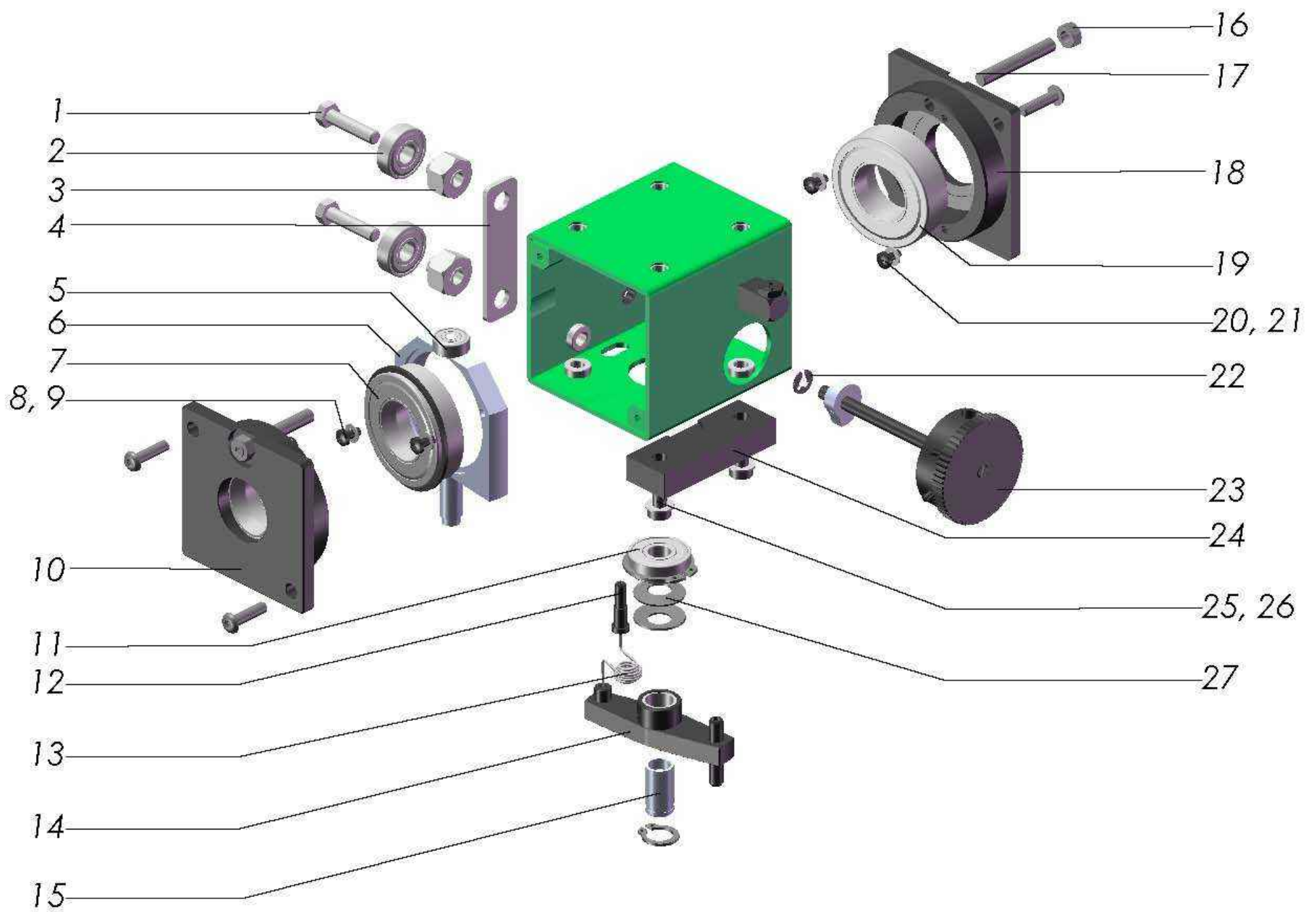


# Linear Bi-directional Gear Box

# LW201



- 1 screw
- 2 running roller
- 3 eccentric axle
- 4 running roller sheet
- 5 bearing
- 6 ring carrier
- 7 inner running ring
- 8 strain washer
- 9 screw

- 10 front panel, left
- 11 thrust bearing
- 12 spring washer
- 13 switch spring
- 14 switch lever
- 15 insert nut
- 16 stop horse
- 17 set screw
- 18 front panel, right

- 19 outer running ring
- 20 screw
- 21 strain washer
- 22 thrust washer
- 23 pitch setting
- 24 stop horse
- 25 screw
- 26 strain washer
- 27 spring washer



# Dimensions LW 201

